

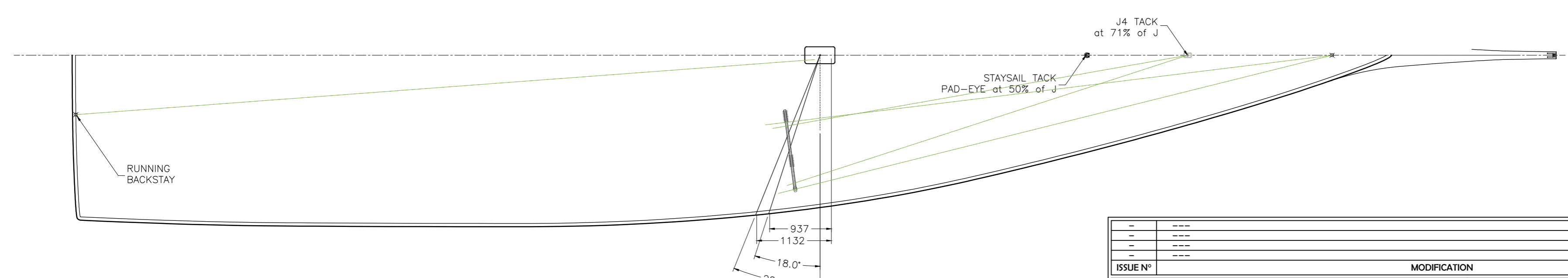
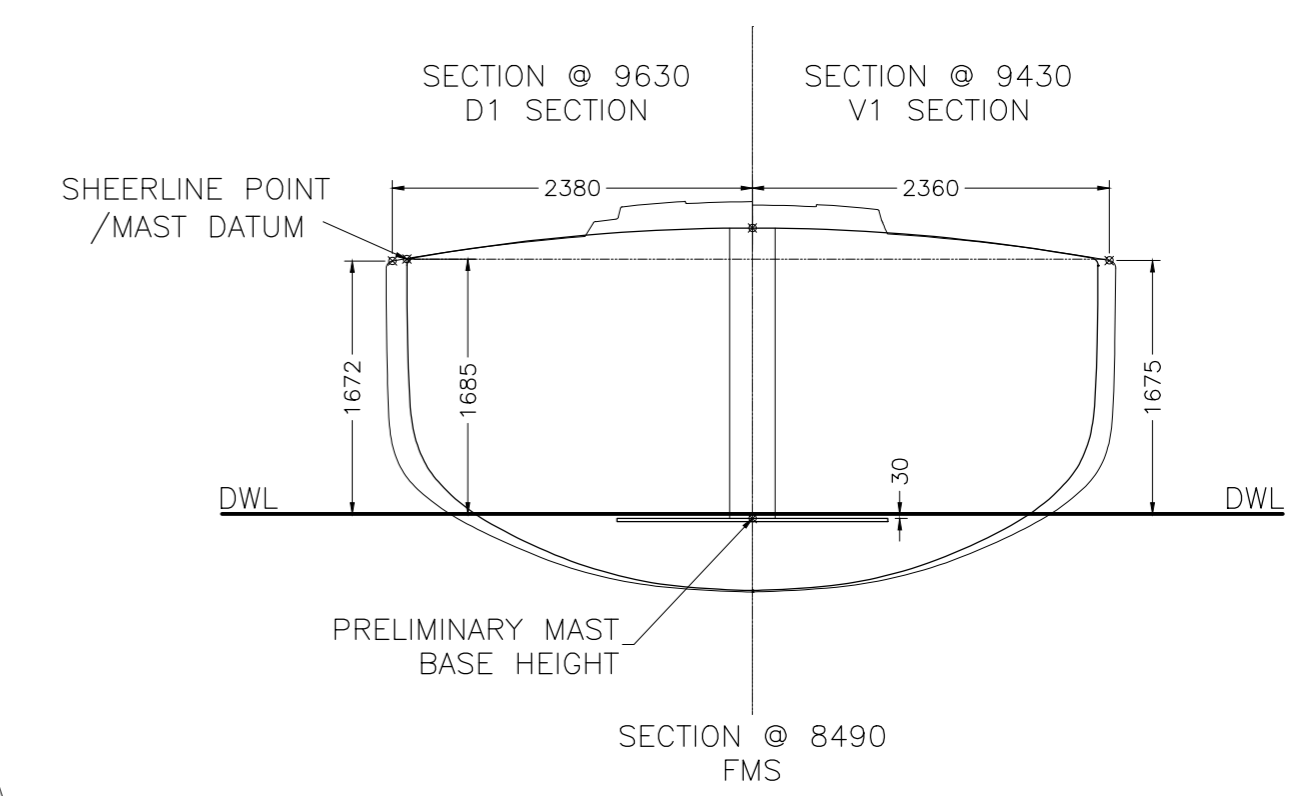
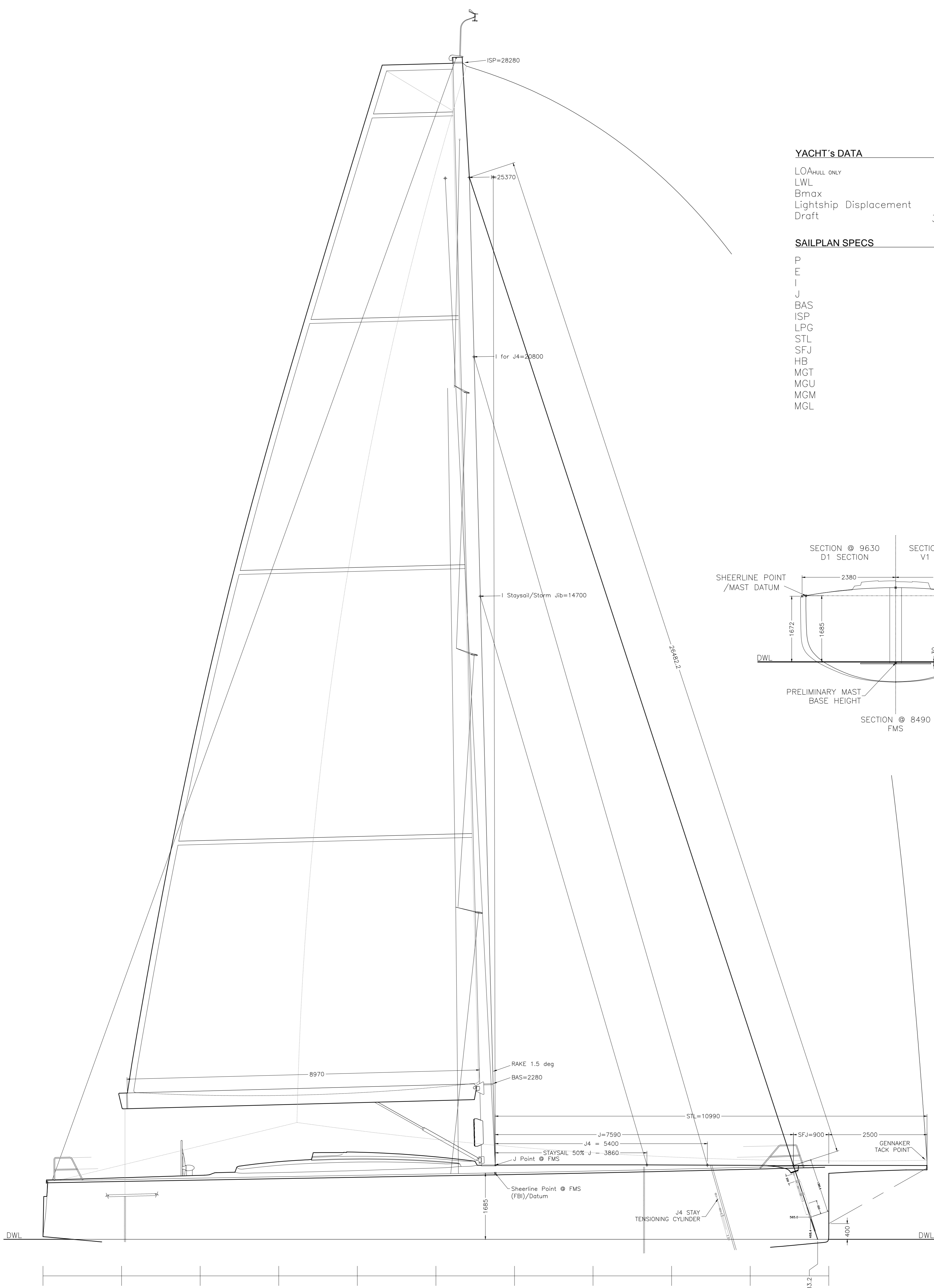


YACHT'S DATA

LOA ^{HULL ONLY}	20.00 m.
LWL	19.53 m.
Bmax	5.20 m.
Lightship Displacement	16700 Kg.
Draft	3.00/4.80 m.

SAILPLAN SPECS

P	26.00 m.
E	8.97 m.
I	25.37 m.
J	7.59 m.
BAS	2.28 m.
ISP	28.28 m.
LPG	8.07 m.
STL	10.99 m.
SFJ	0.90 m.
HB	1.790 m.
MGT	2.775 m.
MGU	3.750 m.
MGM	5.830 m.
MGL	7.550 m.



ISSUE N°	MODIFICATION	DATE	DRAWN

COPYRIGHT
THIS DRAWING IS THE PROPERTY OF BOTIN PARTNERS NAVAL ARCHITECTURE, AND MAY NOT BE COPIED OR USED FOR ANY PURPOSE OTHER THAN THAT FOR WHICH IT IS SUPPLIED, WITHOUT PRIOR, EXPRESS, WRITTEN PERMISSION FROM BOTIN PARTNERS NAVAL ARCHITECTURE.

NOTE TO BUILDER
ALL INFORMATION SUPPLIED SHOULD BE CAREFULLY CHECKED BY THE BUILDER BEFORE COMMENCING CONSTRUCTION. THE DESIGN OFFICE SHOULD BE CONSULTED IMMEDIATELY IF ANY DISCREPANCIES ARE EVIDENT.

NOTE TO SUBCONTRACTORS
BOTIN PARTNERS NAVAL ARCHITECTURE POLICY WITH REGARDS TO SPECIALISED WORK UNDERTAKEN BY SUBCONTRACTORS:
ALL INFORMATION SUPPLIED BY THE OFFICE IS TO BE USED BY THE SUBCONTRACTOR IN ORDER TO CARRY OUT THE SPECIFIC WORK. ANY DISCREPANCIES SHOULD BE BROUGHT TO THE IMMEDIATE ATTENTION OF THE OFFICE. THE OFFICE SHOULD BE CONSULTED IF CHANGES ARE MADE TO THE INFORMATION HERE SUPPLIED. THE SUBCONTRACTOR WILL BE LIABLE FOR THE DETAILED DESIGN UNLESS OTHERWISE AGREED IN WRITING WITH BOTIN PARTNERS NAVAL ARCHITECTURE.

PROJECT: **BP265- HIGH SPIRIT**
DRAWING TITLE: **PRELIMINARY SAIL and RIG PLAN**

SCALE:	DATE:	DESIGN:	DRAWING N°:
1:50 IN A1	10/01/2014	SCM	BP265-800-RevA

BOTIN PARTNERS
NAVAL ARCHITECTURE
C/ CALVO SOTELO 19-8.3 SANTANDER 39002, CANTABRIA, SPAIN TEL: +34 942 356 056 FAX: +34 942 356 057